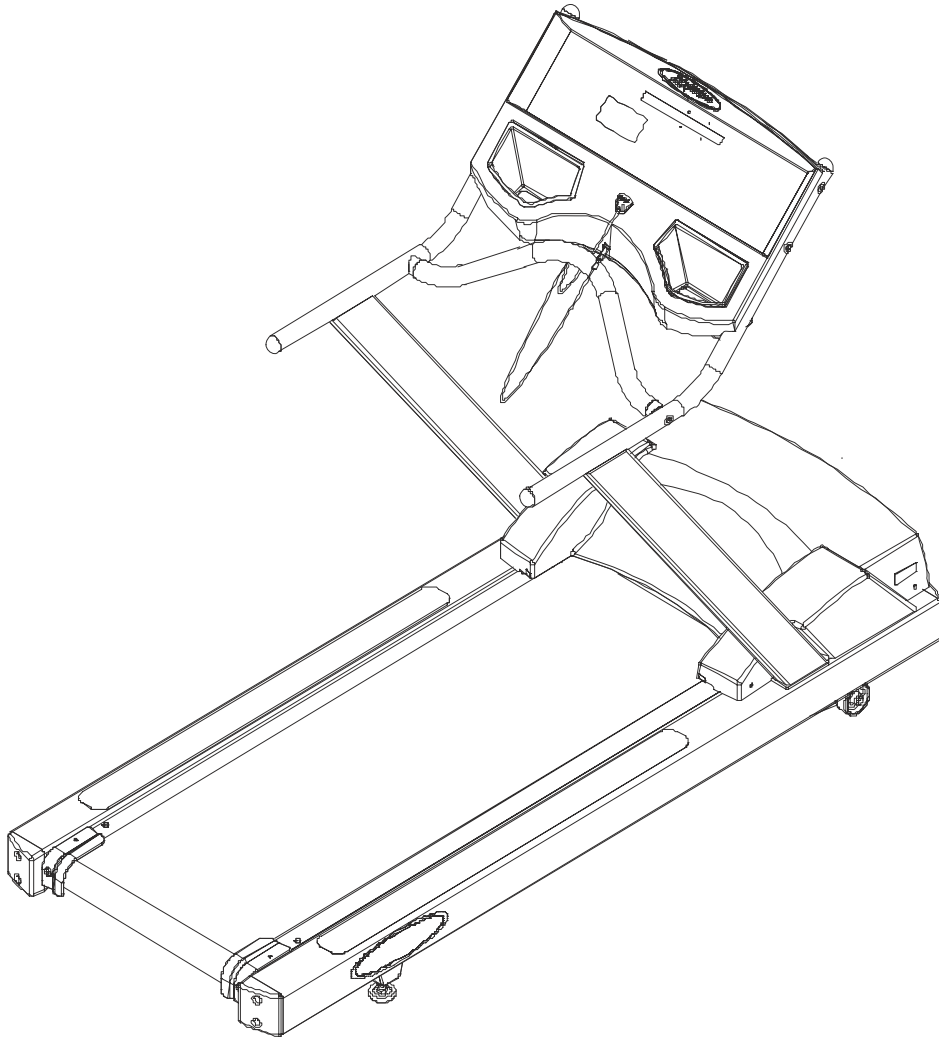


# LifeFitness

SILVER BULLET 90T-XXXX-01 TREADMILL



Customer Support Services  
**PARTS MANUAL** revised 17 Sep 2008

---

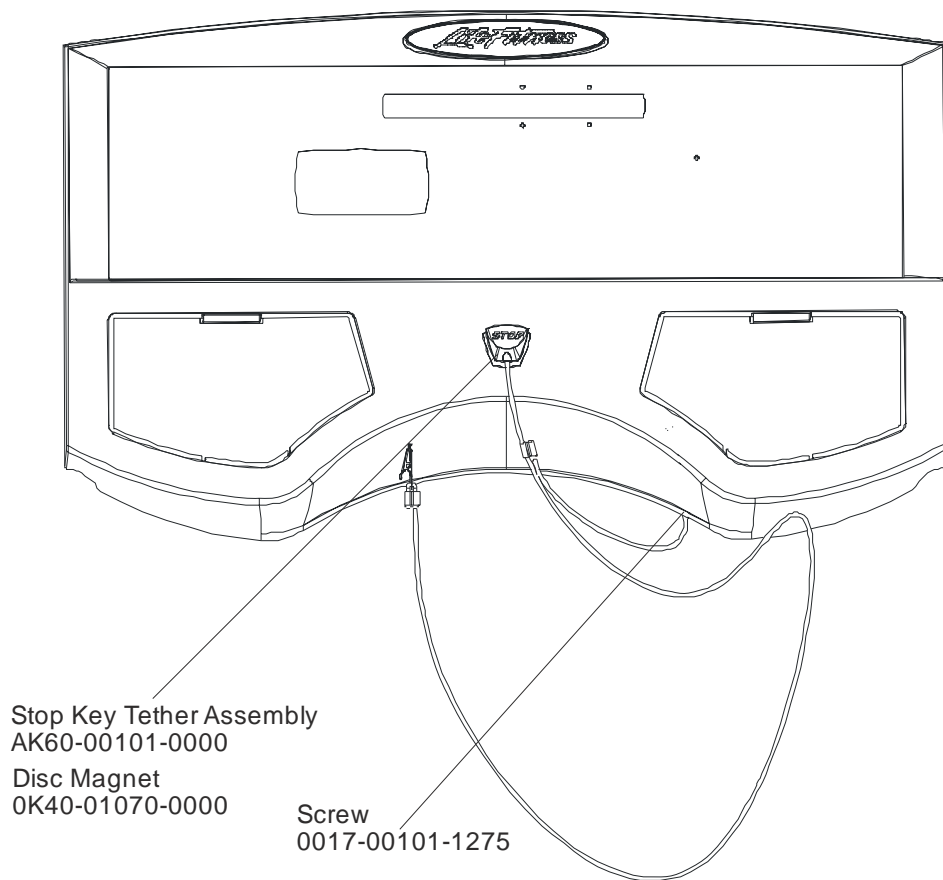
Miscellaneous .....	3
Console Assembly .....	4
Motor Cover, Leveler and End Caps .....	7
Ergo Bar and Upright Assembly .....	8
Accessory Trays.....	9
Belt, Deck, and Rollers.....	10
LifeSprings and Anti-static Tinsel.....	11
Lift Frame Assembly .....	12
Lift Motor and Home Switch.....	13
Drive Motor Assembly.....	14
Wax Motor, Wax Bag, Wax Nozzle, and Bracket .....	15
Speed Sensor and Sensor Wheel Assembly .....	16
Rear Roller Guards .....	17
DC Controller and On/Off Switch.....	18
Line Cord and Line Filter.....	19
Cables.....	20

Language	Operation Manual*	Assembly Instructions*	Instruction Bag Assembly	Service Manual
ENGLISH	M051-00K60-A028	M051-00K60-B024	N/A	M051-00K60-A023
FRENCH	M051-00K60-A029	M051-00K60-B025	N/A	
PORTUGUESE				
SPANISH				
DUTCH	M051-00K60-A030	M051-00K60-B026	N/A	
GERMAN				
ITALIAN				
JAPANESE	M051-00K60-A031	M051-00K60-A027	N/A	

\*If available, operation manuals and assembly instructions are in PDF form only

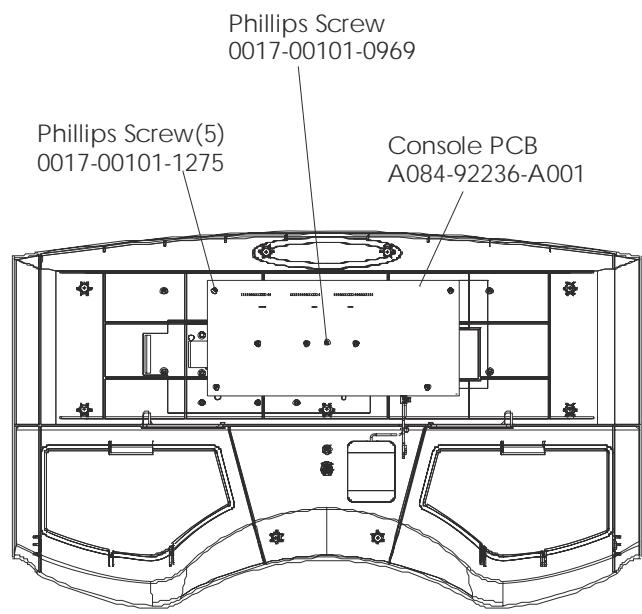
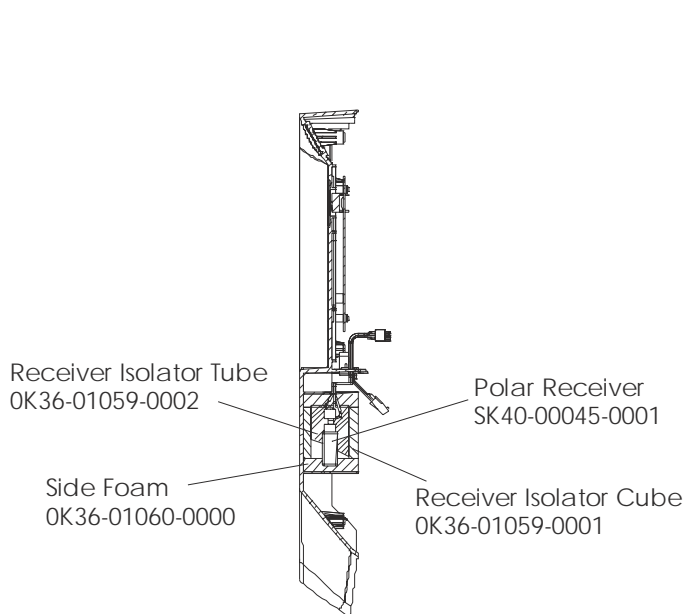
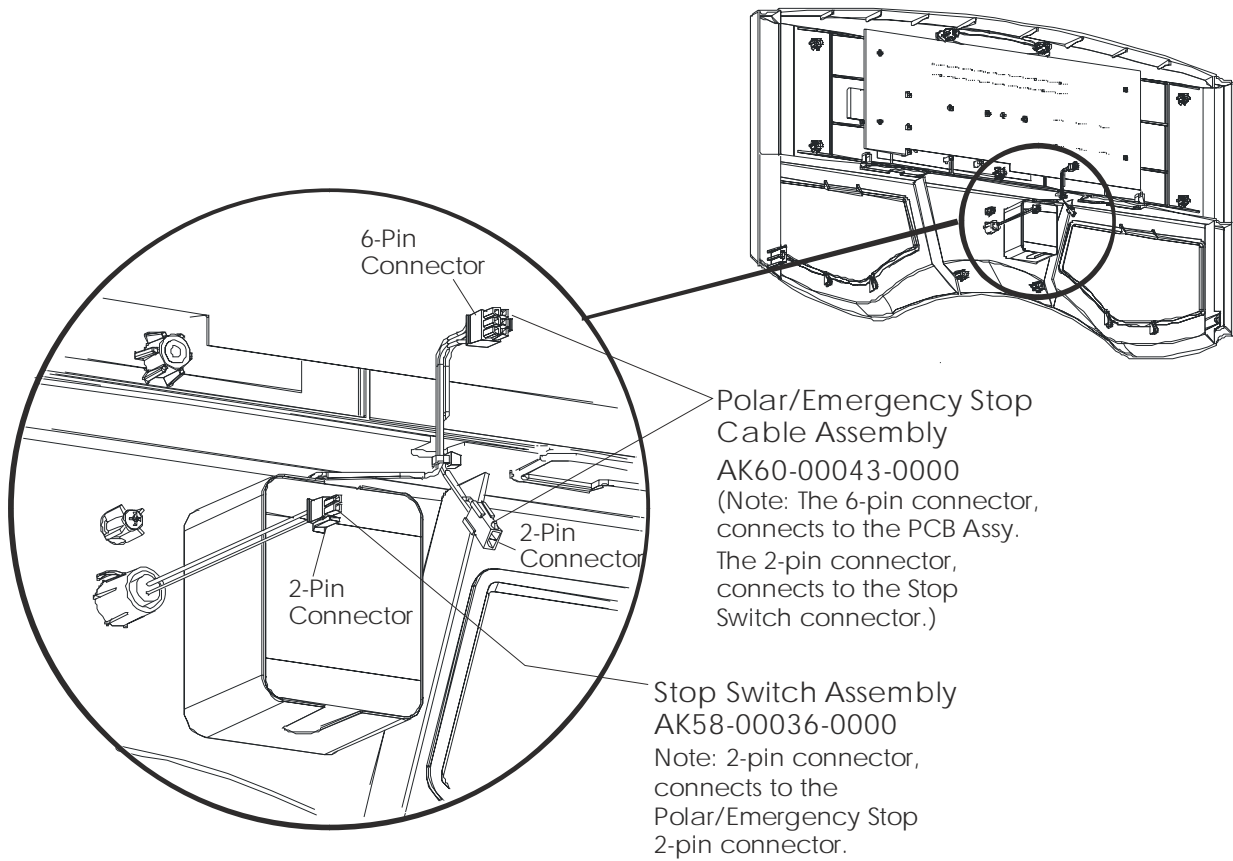
AK60-00054-0002		HDWR-BAG ASSY: MFG; 90T
Item	Description	Qty
OK60-01098-0001	END-CAP: SPHERE	4
0017-00042-1151	RIVET: PLASTIC; REMOVABLE	5
0017-00101-1256	3/8 -16X80 UNS HEX BLT G5 ZN B	4
0017-00101-1767	1/4 -20X28 TRX BUT L CS G8 ZS B	4
0017-00101-1768	1/4 -20X32 TRX BUT L CS G8 ZS B	2
0017-00101-1776	VMI 10-16X 8 PHL PAN B ST ZB B	10
0017-00103-0188	NUT 3/8 -16 LOCK-FLNGE D ST CD B	4
0017-00104-0464	WSH 406-.734-064 FL-D ST ZS B	4

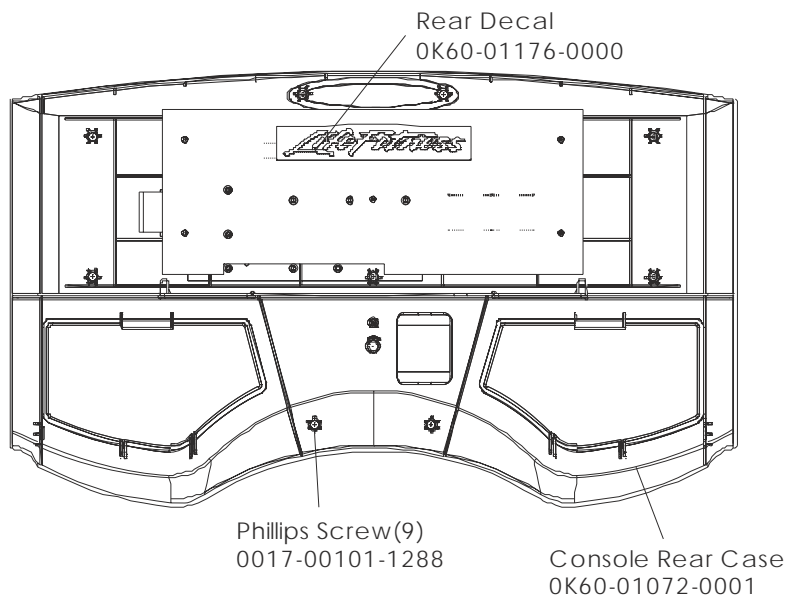
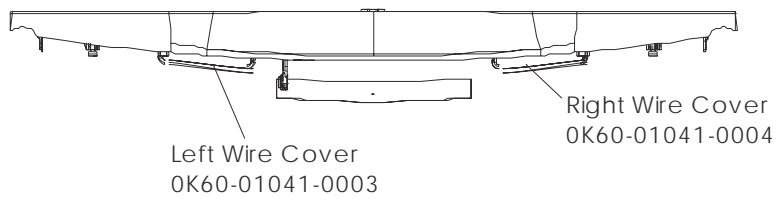
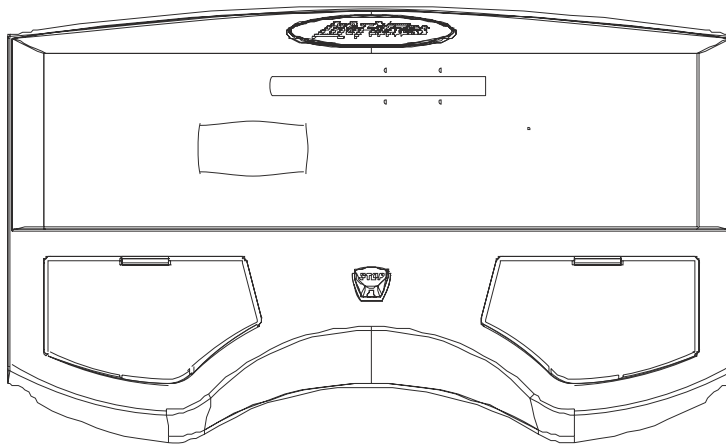
Touch up Paint		
Item	Description	Qty
0017-00008-0196	PAINT: SILVER BULLET; .6OZ. BTL. B	1
0017-00008-0197	PAINT: SILVER BULLET; 4.5OZ. CAN. B	1
0017-00008-0198	PAINT: STEALTH GREY; .6OZ. BTL. B	1
0017-00008-0199	PAINT: STEALTH GREY; 4.5OZ. CAN. B	1

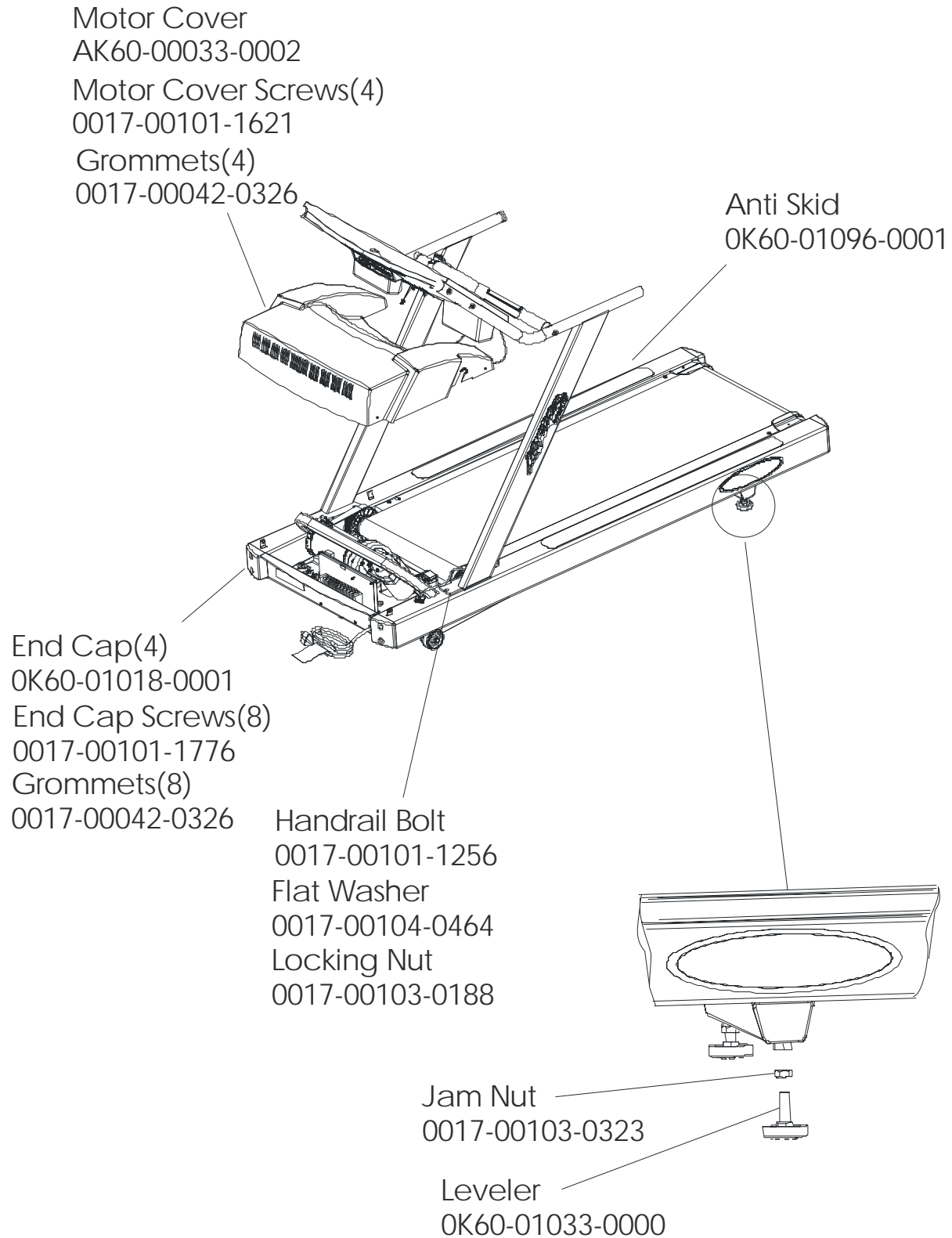


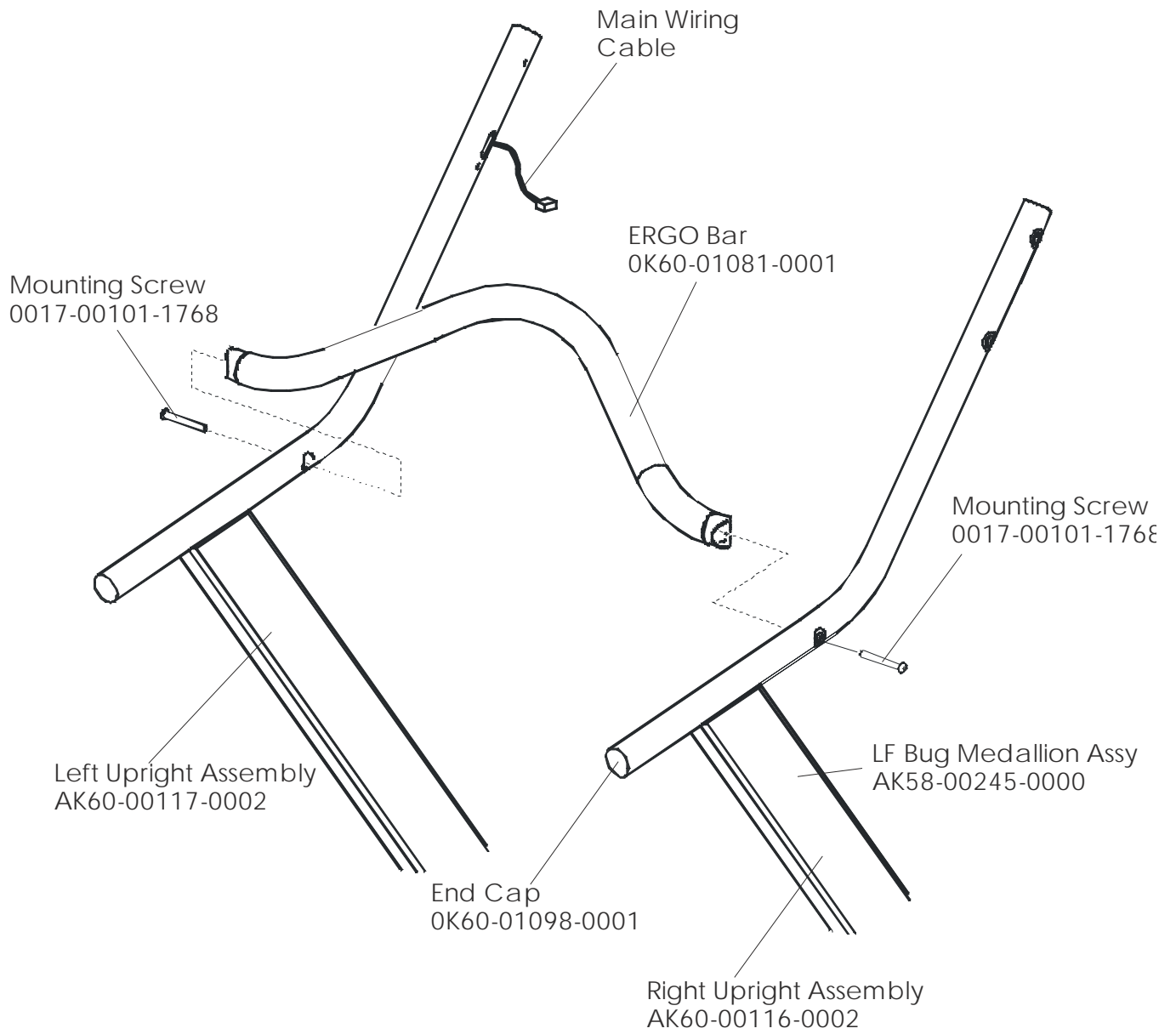
Language	Console*	Overlay/Bezel Assembly*
ENG+MET	AK60-00112-0001	AK60-00109-0001
GERMAN	AK60-00112-0003	AK60-00109-0003
SPANISH	AK60-00112-0004	AK60-00109-0004
JAPANESE	AK60-00112-0006	AK60-00109-0006
FRENCH	AK60-00112-0007	AK60-00109-0007
ITALIAN	AK60-00112-0008	AK60-00109-0008
DUTCH	AK60-00112-0009	AK60-00109-0009
PORTUGUESE	AK60-00112-0010	AK60-00109-0010

\*Some consoles and overlay/bezel assemblies may be unavailable

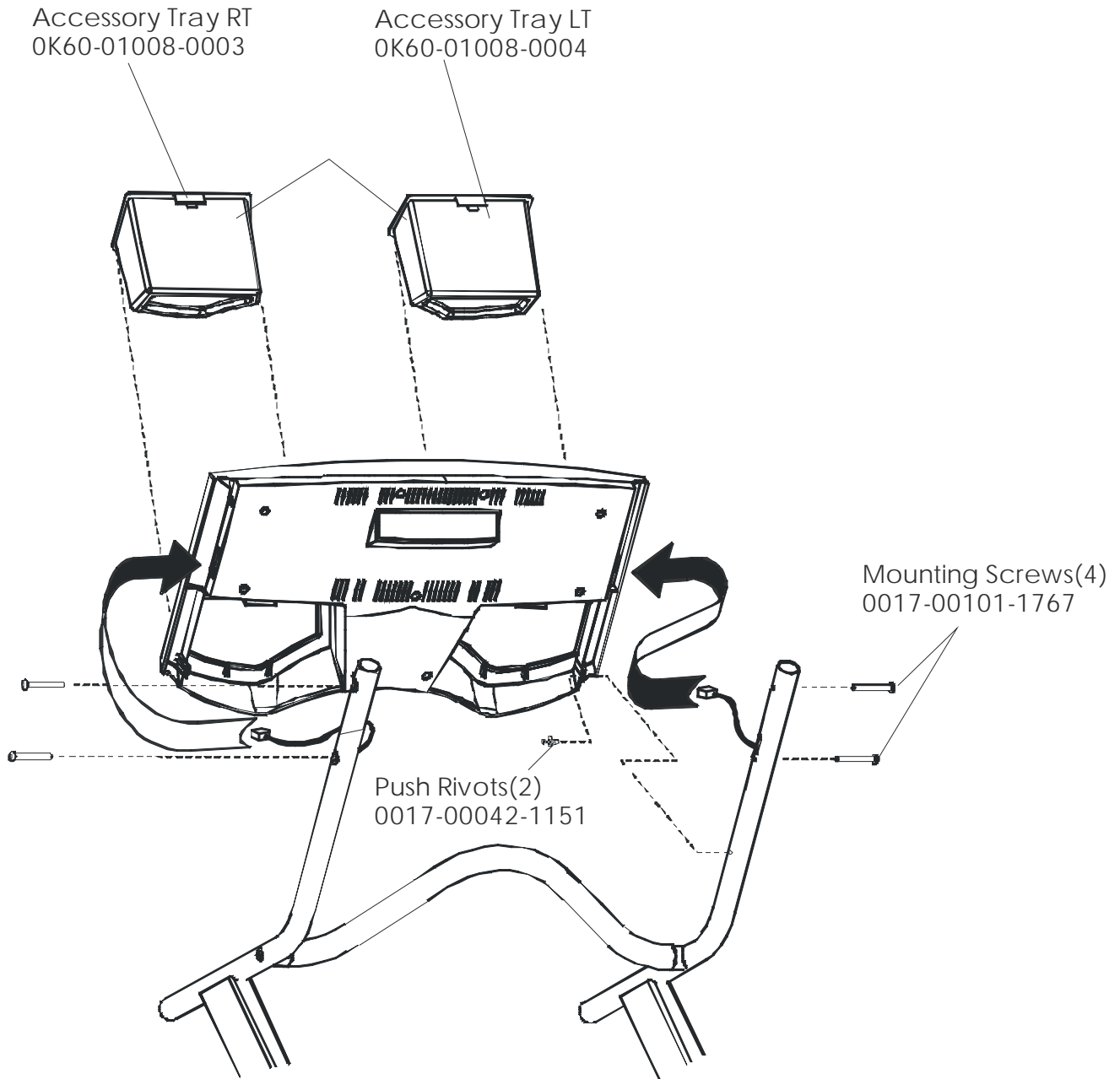


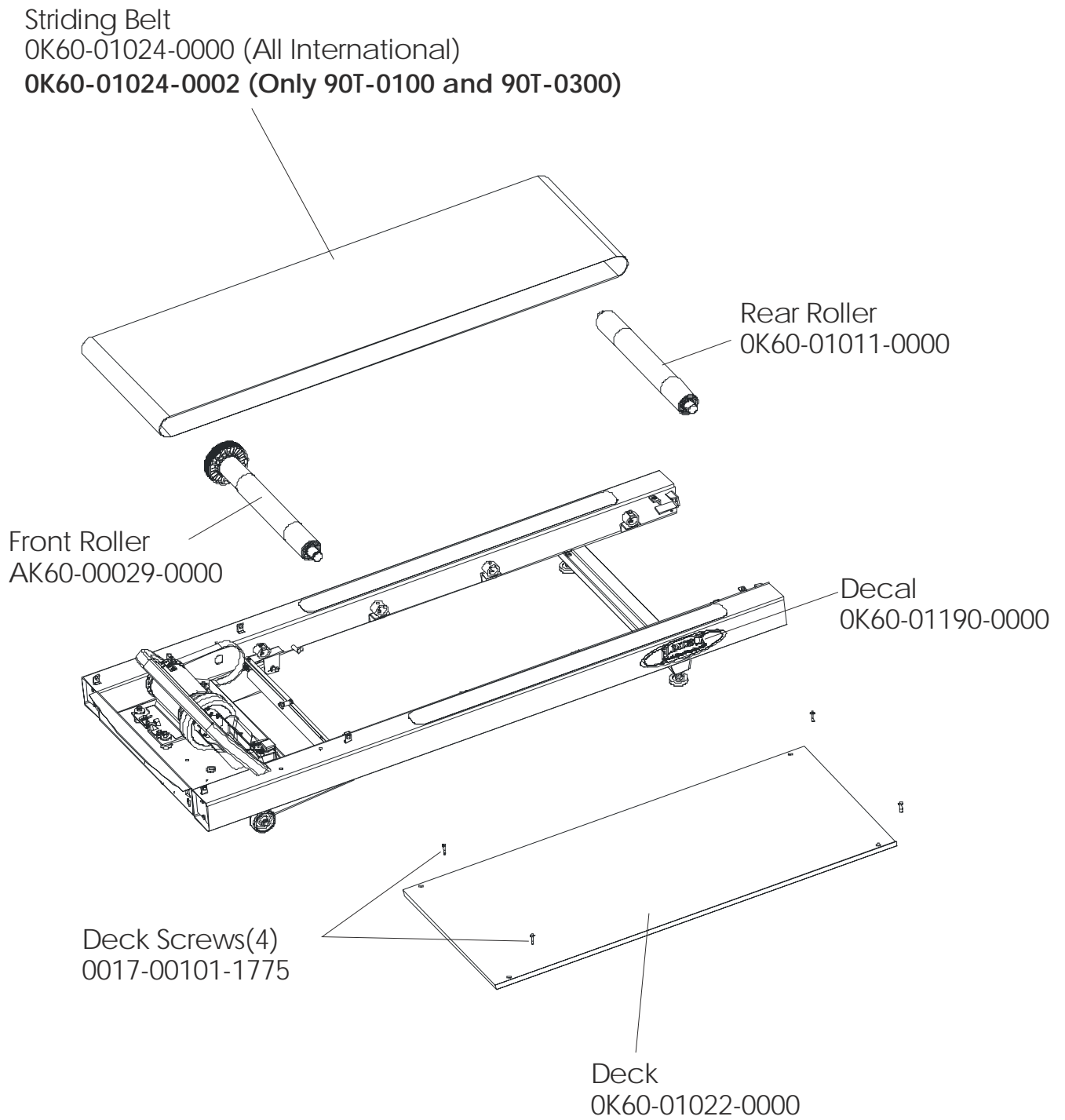


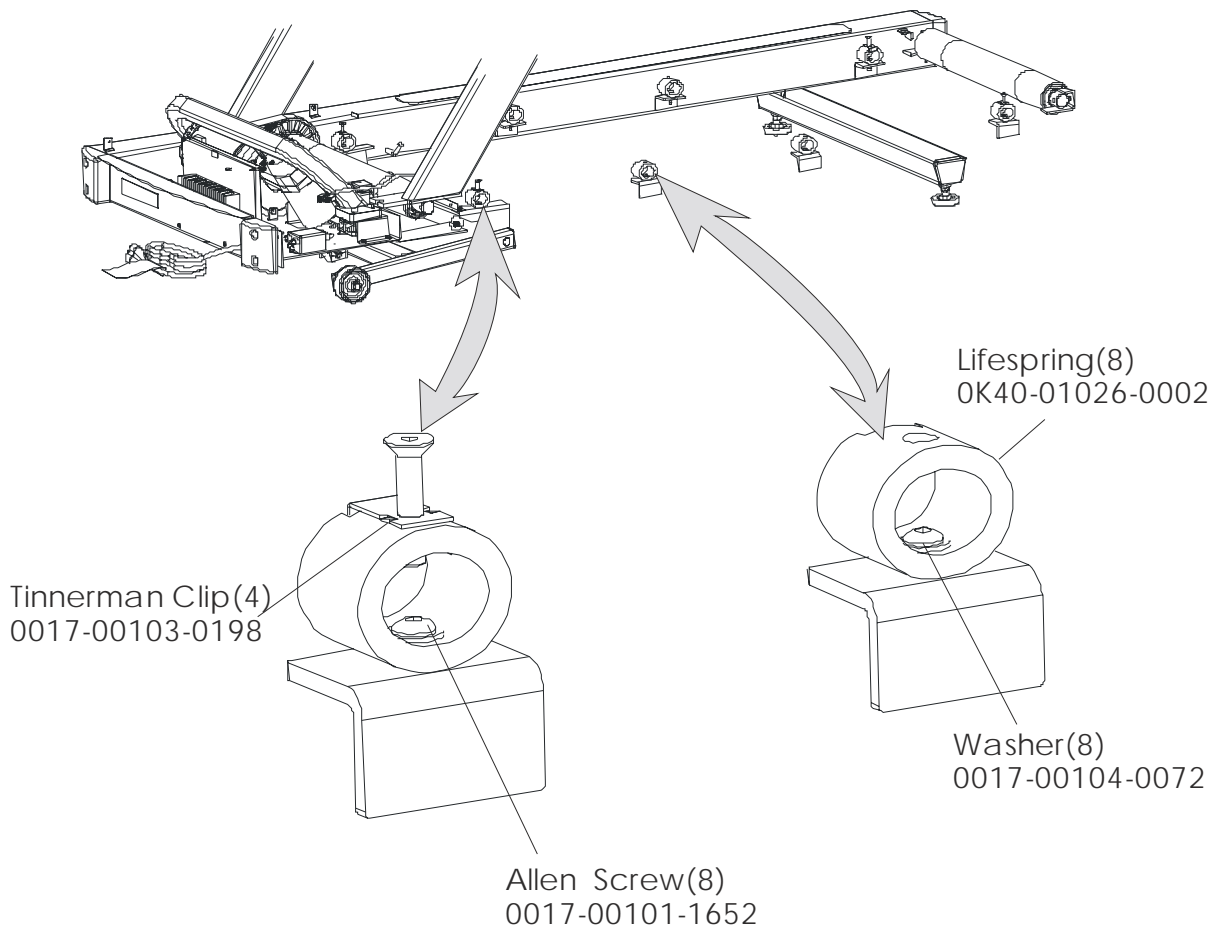
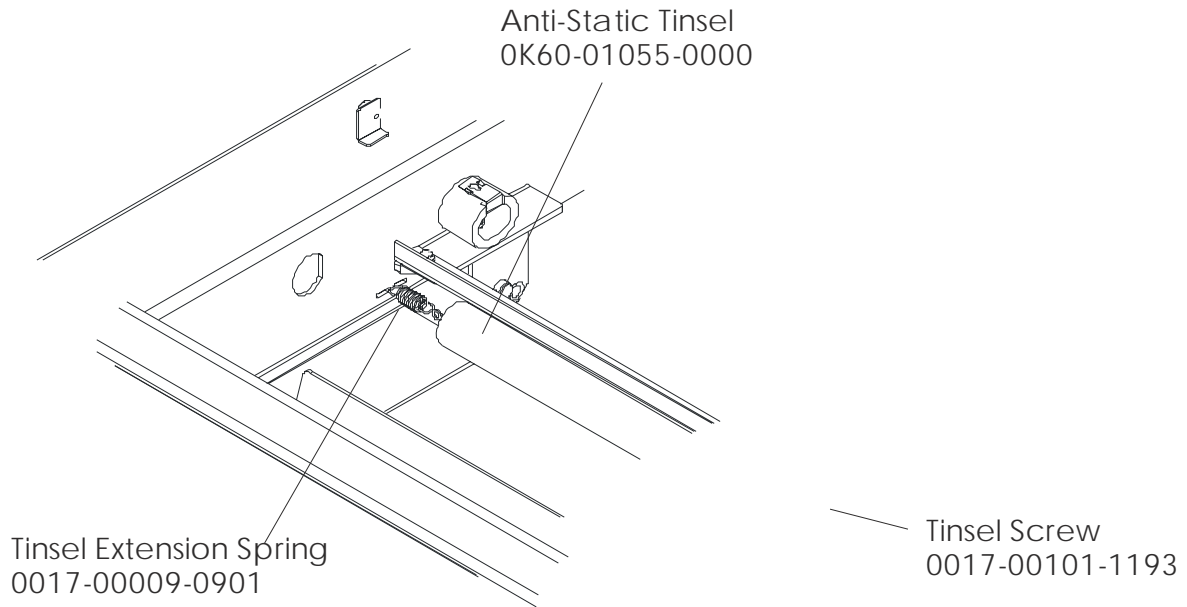


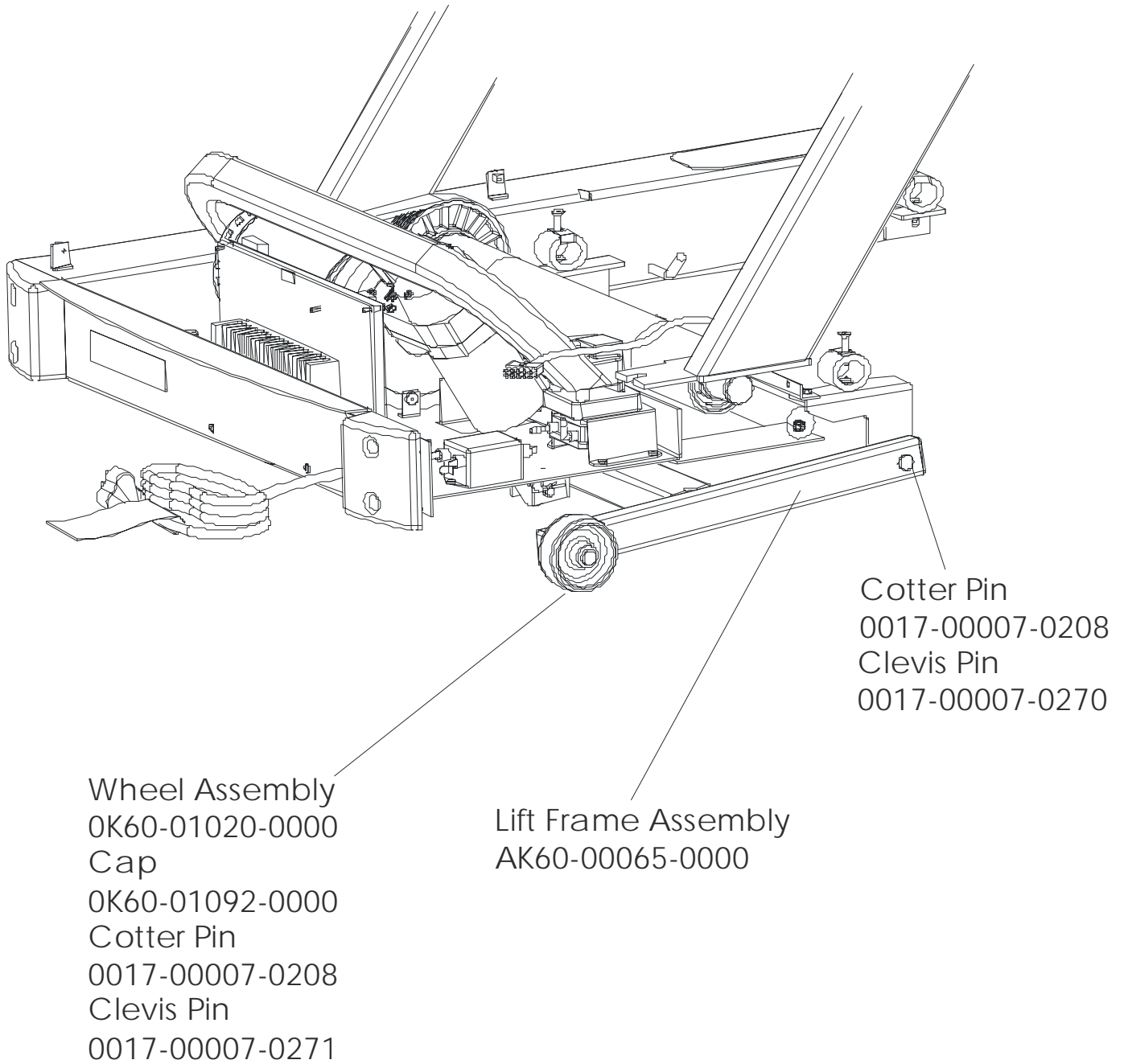




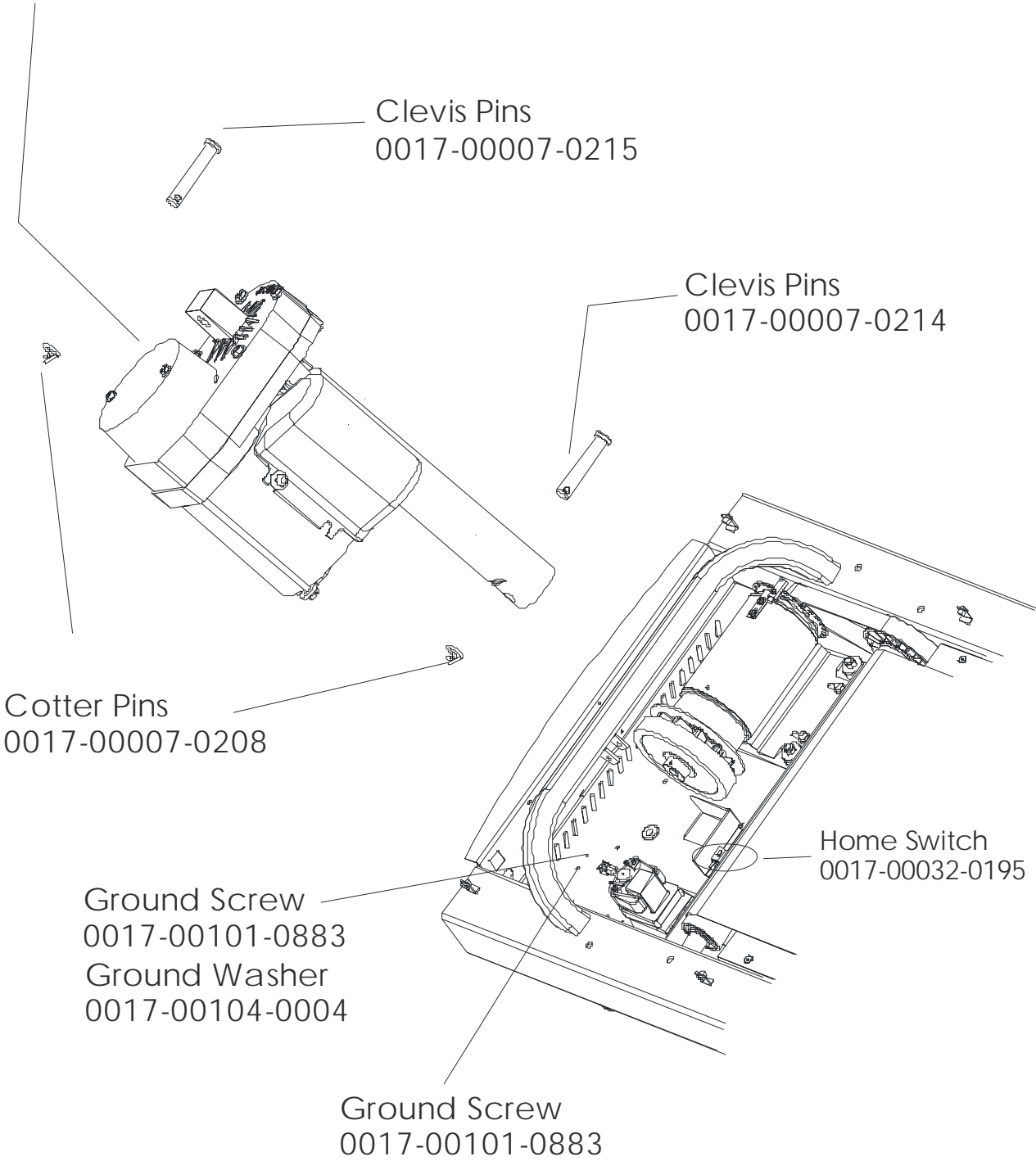








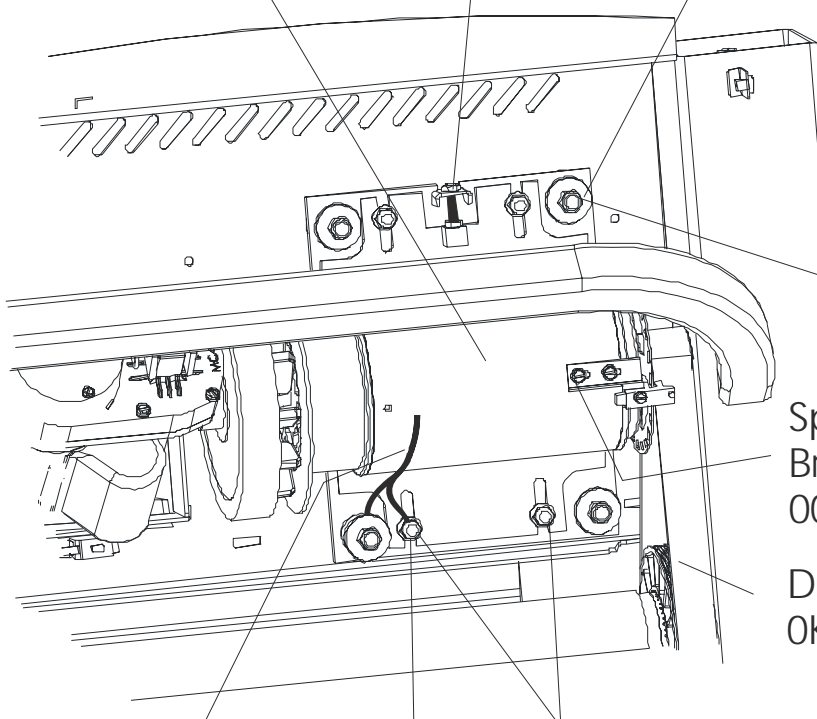
Lift Motor  
OK60-01094-0000 (120v)  
OK60-01166-0000(220v/60Hz)



Drive Motor Assembly  
AK60-00081-0001  
Motor Brush Kit  
GK60-00002-0007

Tensioning Bolt  
0017-00101-1283

Locking Nut(4)  
0017-00103-0025  
Wide Washer(4)  
OK60-01121-0000  
Isolation Mounts  
OK60-01119-0000  
Isolation  
Mounting Plate  
OK60-01123-0000  
Motor Mount Spacer  
OK60-01120-0000



Speed Sensor  
Brkt Screws(2)  
0017-00101-1193

Drive Belt  
OK60-01025-0000

Motor; Bleed Cable  
AK60-00098-0000

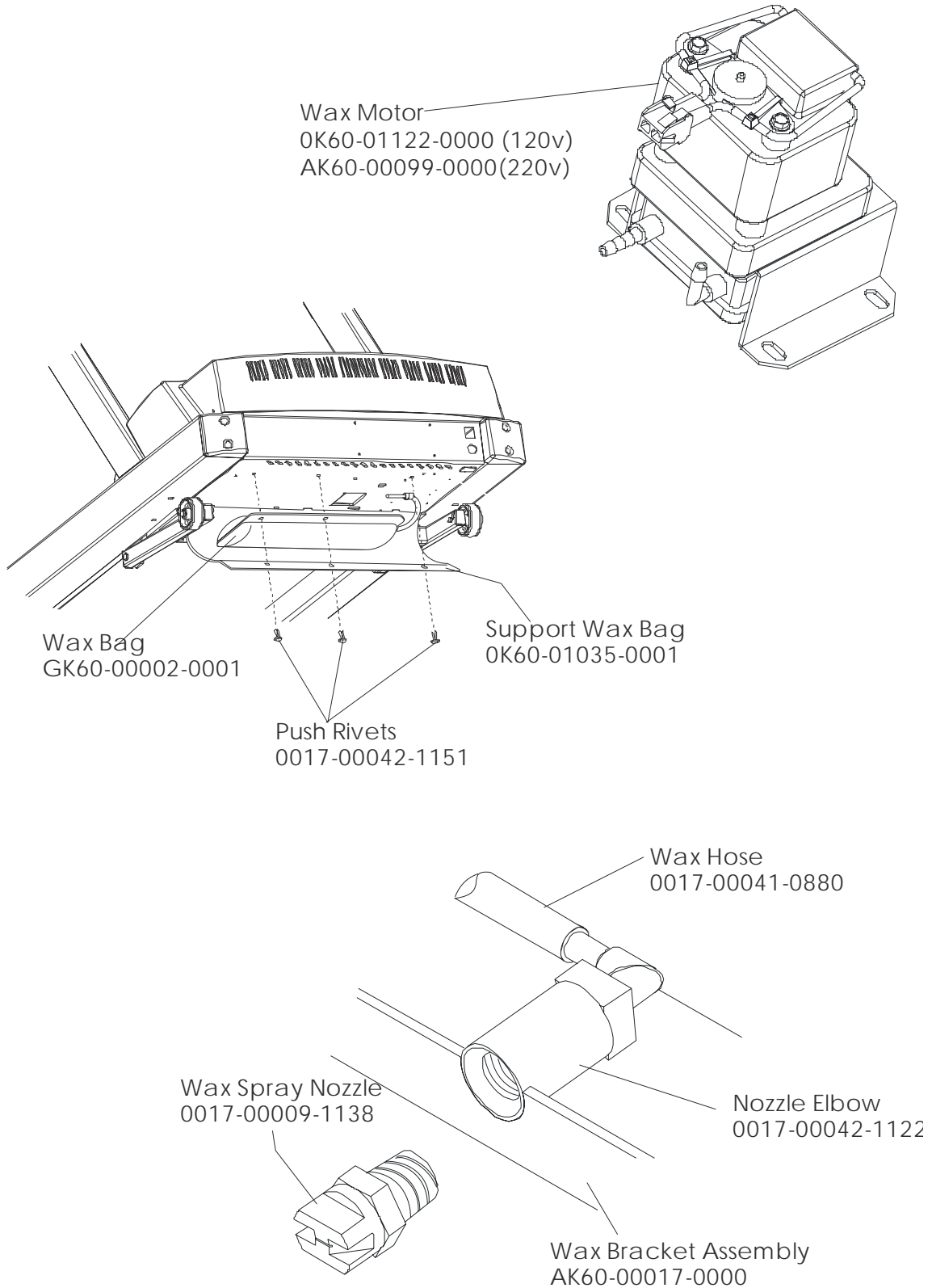
Mounting Nuts(4)  
0017-00103-0132

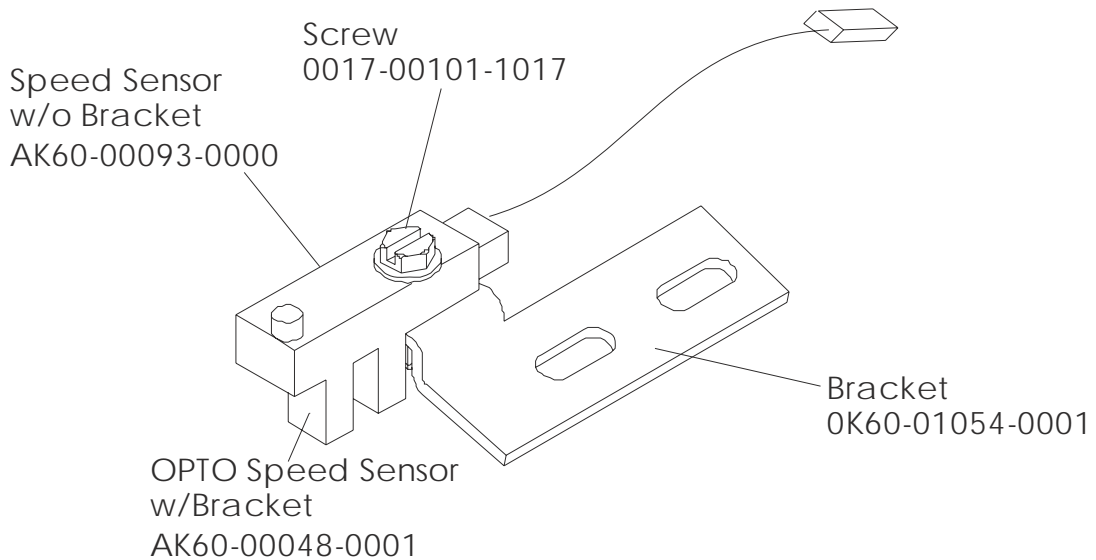
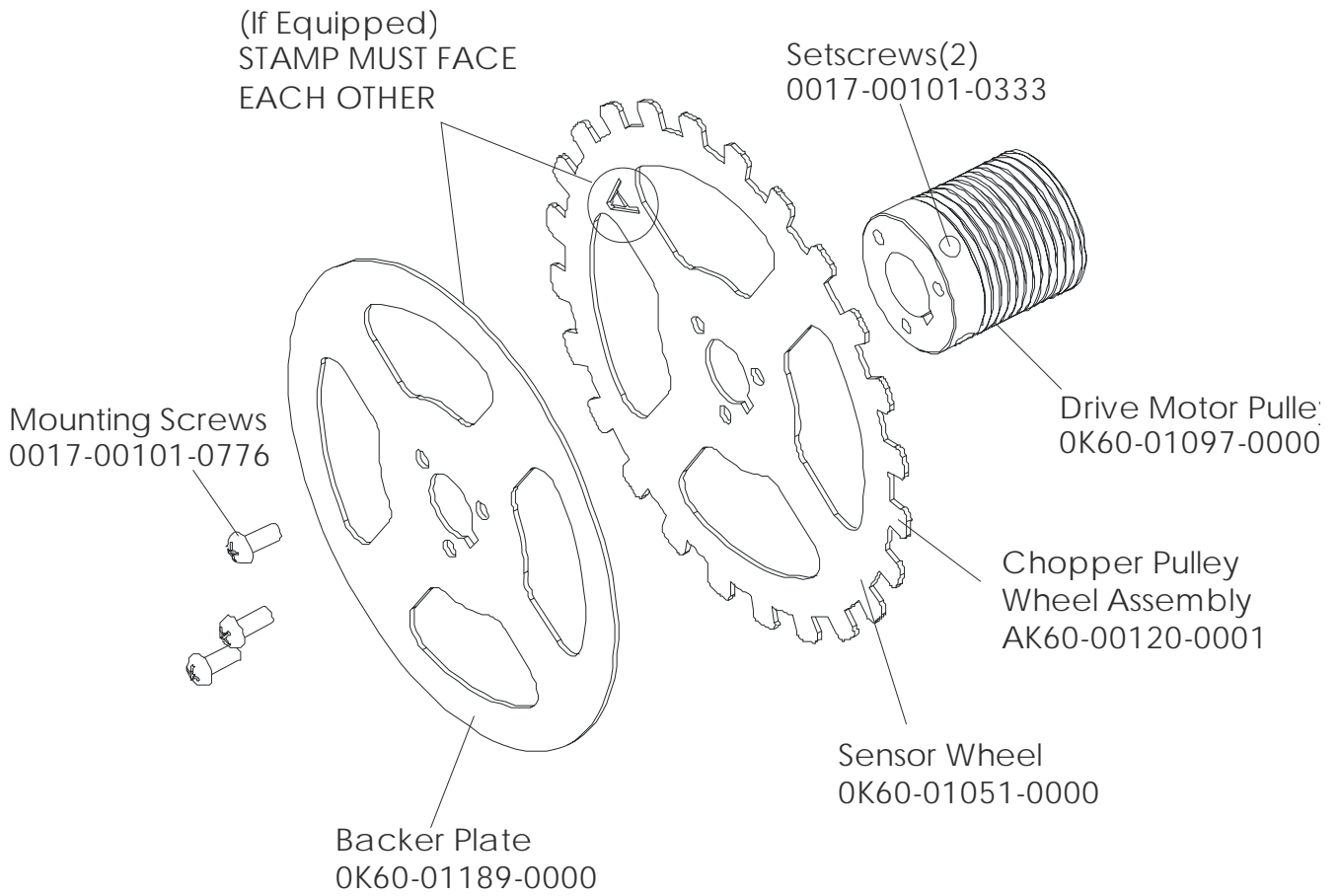
Washer  
0017-00104-0159

SILVER BULLET 90T  
Wax Motor, Wax Bag, Wax Nozzle, and Bracket

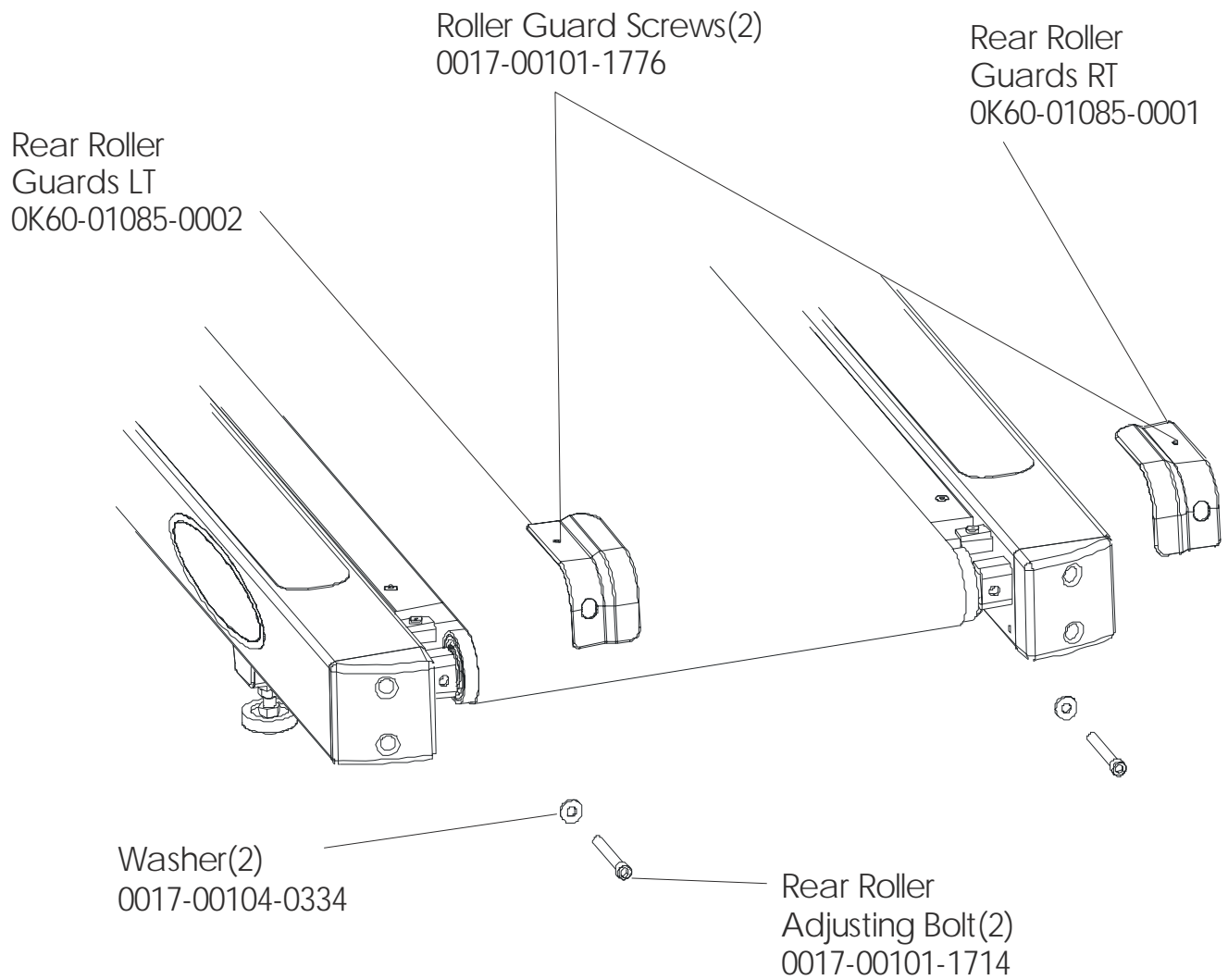
90T-XXXX-01  
S/N TTA100000 and up

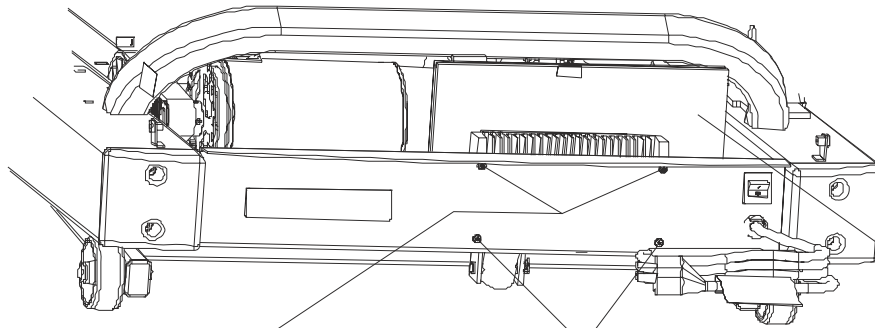
Not Applicable for models 90T-0100 or 90T-0300







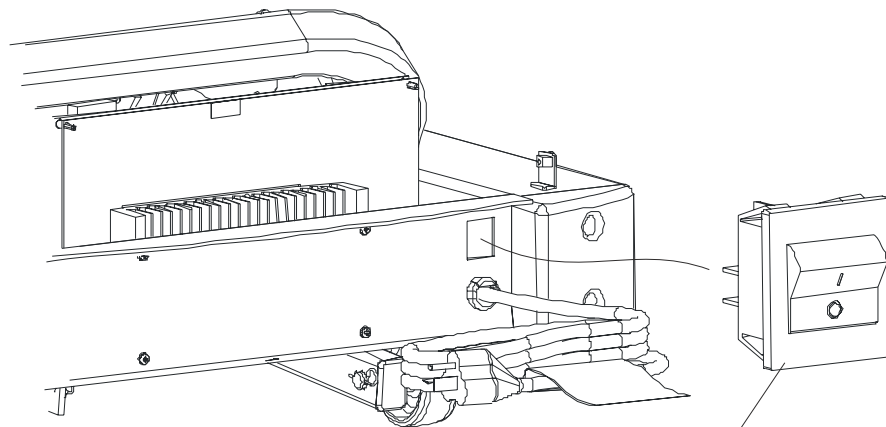




DC Controller Top  
Mounting Screws(2)  
0017-00101-0168  
Lock Washers(2)  
0017-00104-0460

DC Controller Bottom  
Mounting Screws(2)  
0017-00101-0162

DC Controller  
GK60-00002-0002  
100-120 Volts/50-60 Hz  
GK60-00002-0003  
200+ Volts/50-60 Hz



ON/OFF Switch  
0017-00032-0198

